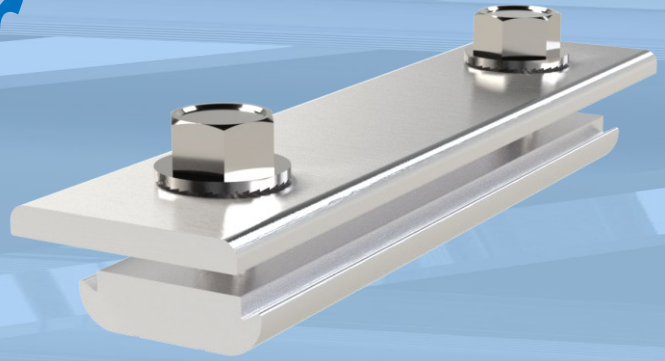


Kinetic Solar Rail Joiner



Rail Joiner

The Kinetic Solar Rail Joiner like all Kinetic products is created with the installer in mind. The Rail Joiners is an innovative attachment made by Kinetic Solar Racking and Mounting. The Rail Joiner is a part of the expanding K-Rack™ line of products, which have become well-known in the solar racking industry for its quality and features.

Stronger Connection

The Kinetic Rail Joiner meets or exceeds the UL2703 Mechanical Load Test standards, enduring loads of 5400 Pa downward and 2400 Pa upward. Its corrosion resistance is tested in wet and humid environments, ensuring a durable and reliable connection for solar panels.



Material

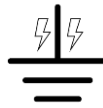
Hardware	Stainless Steel
Material	Aluminum

Warranty

The Rail Joiner is part of the K-Rack™ product line which is covered by a 25-year limited warranty. See the warranty document on our website for more details.

Bonding

With a simple design and bonding washer, the Kinetic Rail Joiner Kit is designed to provide connection and electrical bonding between the rail sections.



Certifications

The Rail Joiner is permit-ready with pre-engineered stamped regional drawings independently verified by a professional structural engineer. The Rail Joiner is part of the K-Rack™ product line which is covered by the certifications below.

Faster Install

The Rail Joiner installation uses the same 1/2" socket, saving time during installation.



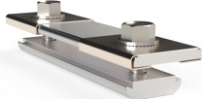

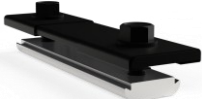





UL 2703
TIL No. A-40

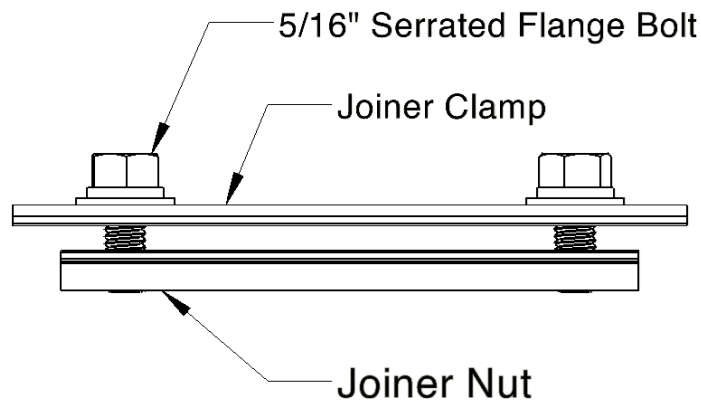
Toll Free: 1-855-665-3755
Tel: 416-665-3755
1-65 Martin Ross Ave,
North York, ON M3J 2L6
kineticsolar.com



Kits

Product Name	SKU	In Application	Qty of Components
Joiners with S.S. Bolts	 KJS2-MM		1 Joiner Nut 2 5/16" Serrated Flange Bolt 1 Joiner Clamp
Mill Finish with WEEBs and S.S. Bolts	 KJS2-MA		2 WEEBs 2 5/16" Serrated Flange Bolt 1 Joiner Clamp 1 Joiner Nut
Black Anodized with WEEBs and S.S. Bolts	 KJS2-BA		2 Black WEEBs 2 Black 5/16" Serrated Flange Bolt 1 Joiner Clamp 1 Black Joiner Nut
Clear Anodized with WEEBs and S.S. Bolts	 KJS2-CA		2 WEEBs 2 5/16" Serrated Flange Bolt 1 Joiner Clamp 1 Joiner Nut

Detail



Kinetic Solar

Kinetic Solar is a trusted North America-based manufacturer with 45+ years of experience. Our signature K-Rack™ product line is recognized within the industry for its ease of installation, superior quality.



The Specifications and key features contained in this datasheet may deviate slightly from our actual products due to ongoing innovation and product enhancement. Kinetic Solar reserves the right to make necessary adjustments to the information described here at any time. We ask that any K-Rack™ product should be handled by qualified professionals during installation and that all installation instructions are followed as per our installation guide.

© July 2025 R1. All rights reserved, Joiner Cut Sheet



UL 2703
TIL No. A-40

Toll Free: 1-855-665-3755
Tel: 416-665-3755
1-65 Martin Ross Ave,
North York, ON M3J 2L6
kineticsolar.com

